



The Dolomite Centre Ltd.
 Unit 1, Anglian Business Park, Orchard Road,
 Royston, Hertfordshire, SG8 5TW, UK
T: +44 (0)1763 242491
F: +44 (0)1763 246125
E: dolomitesales@syrris.com
W: www.dolomite-centre.com

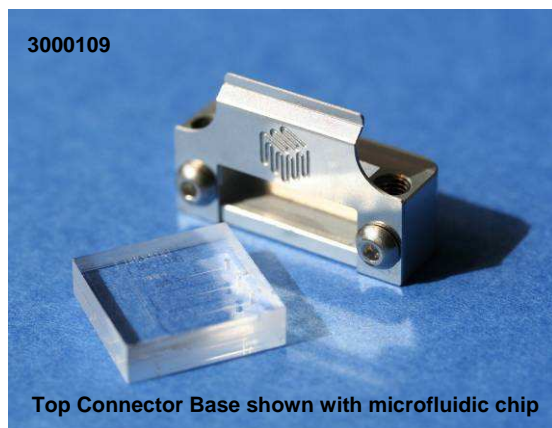
The Dolomite Centre Limited
 Registered office: 27 Jarman Way,
 Royston, Hertfordshire, SG8 5HW, UK
 Company No. 05640084

INFORMATION SHEET

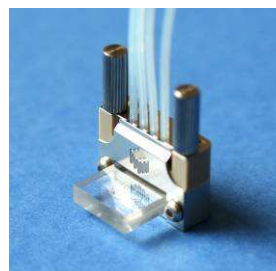
Part name	Part number
Mitos Top Connector Base 4-way 4mm	3000109
Mitos Top Connector Base 4-way 2.15mm	3000237

Description

The Mitos Top Connector Base works in conjunction with the 4-way Edge connector (part number 3000024), providing fluidic connections to the top surface of glass microfluidic chips. There are two types of top connector; the first is compatible with chips that are 4mm thick and 15mm wide (3000109) and the second is compatible with chips that are 2.15mm thick and 15mm wide (3000237). This connection system provides fast and reliable connection between Dolomite chips and 1.6mm tubing.



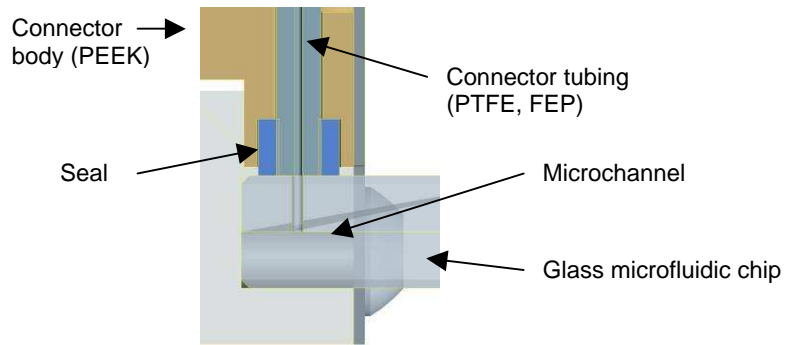
Perfluoroelastomer seal (FFKM). Part number: 3000021.



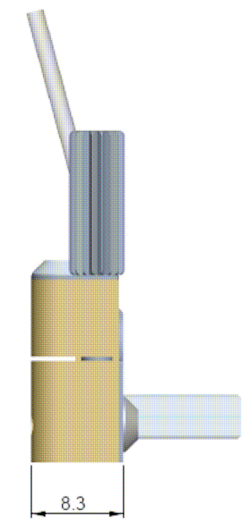
4-way top connector base with edge connector. Part number: 3000024.

	Edge Connector specification	Mitos Top Connector Base 4-way 4mm Chip (3000109)	Mitos Top Connector Base 4-way 2.15mm Chip (3000237)
1	Number of ports	4	4
2	Chip thickness options	4mm	2.15mm
3	Chip width options	15mm	15mm
4	Chip length options	10 – 90mm	10 – 90mm
5	Outside diameter of connection tubing	1.6mm (1/16 inch)	1.6mm (1/16 inch)
6	Inside diameter of connection tubing	0.25, 0.5 or 0.8mm	0.25, 0.5 or 0.8mm
7	Connection tubing material	PTFE, FEP	PTFE, FEP
8	Operating pressure	30bar	30bar
9	Operating temperature range of seal	-15 to 260 °C	-15 to 260 °C
10	Wetted materials	Glass, PTFE, and perfluoroelastomer	Glass, PTFE, and perfluoroelastomer
11	Connector materials	PEEK, Stainless Steel 316	PEEK, Stainless Steel 316
12	Dead volume	< 0.3µl per port	< 0.3µl per port

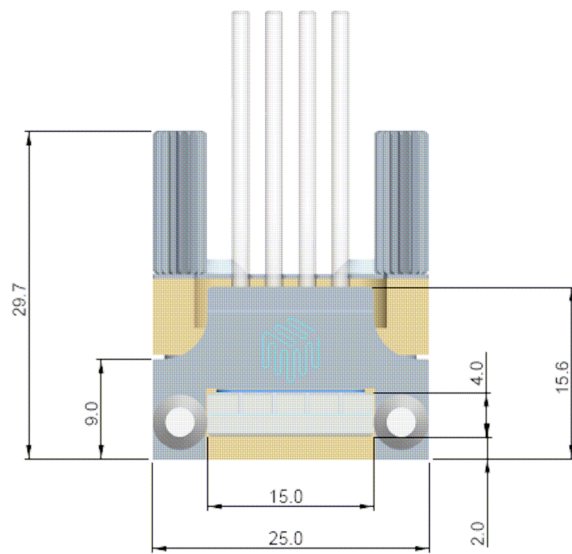
Cross-sectional view of sealing interface



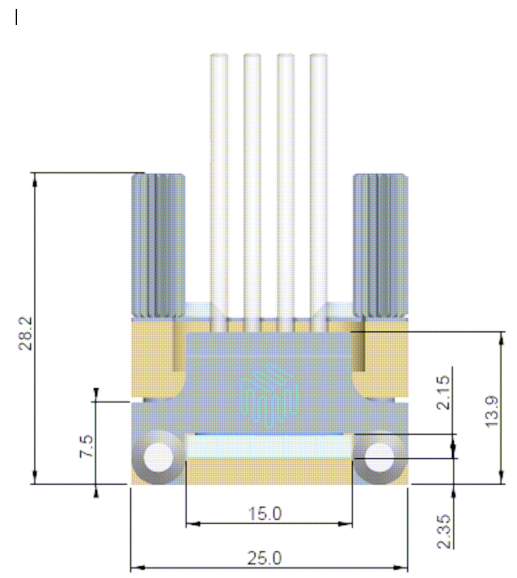
Geometry with a microfluidic chip and a 4-way connector



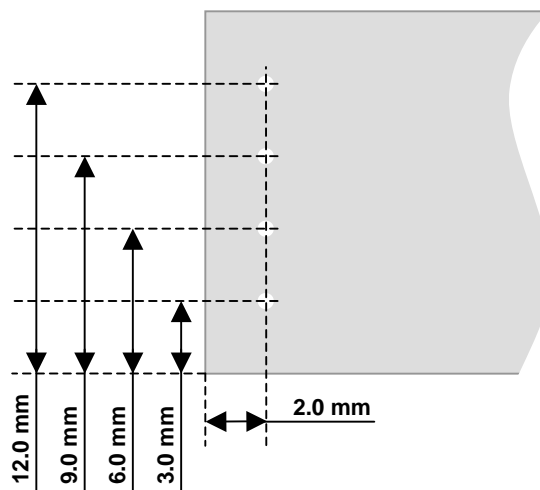
General Side View



Front view of top connector base (3000109) with a 4mm chip.



Front view of top connector base (3000237) with a 2.15mm chip.



Plan view of chip with positions of holes